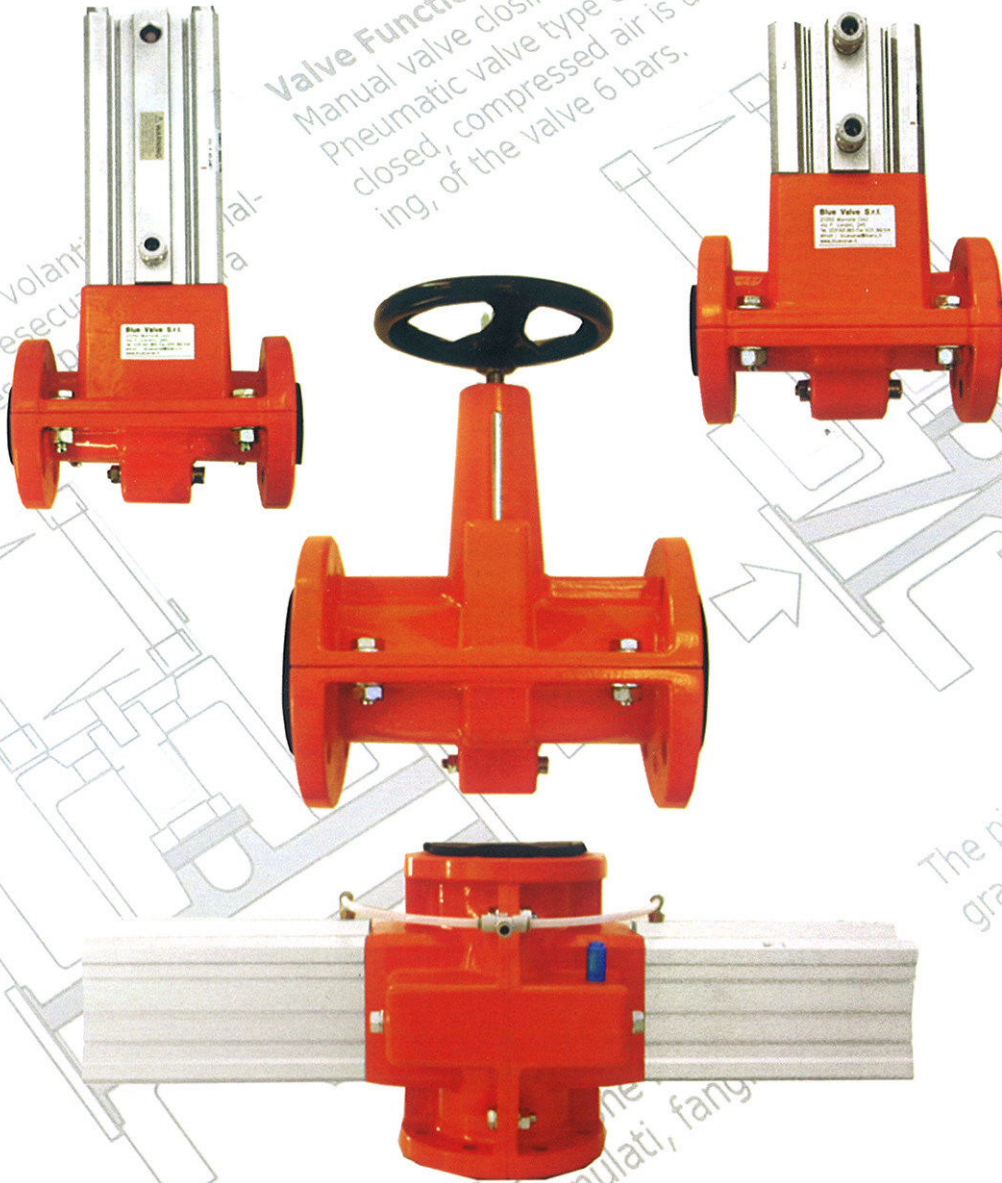


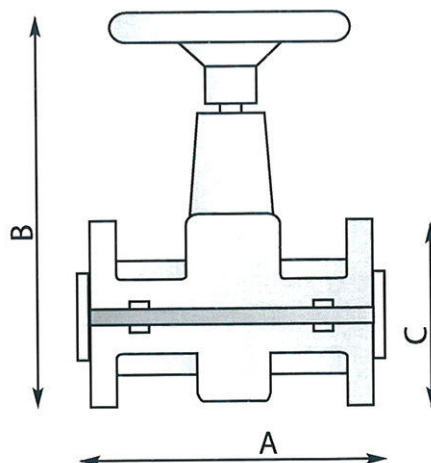
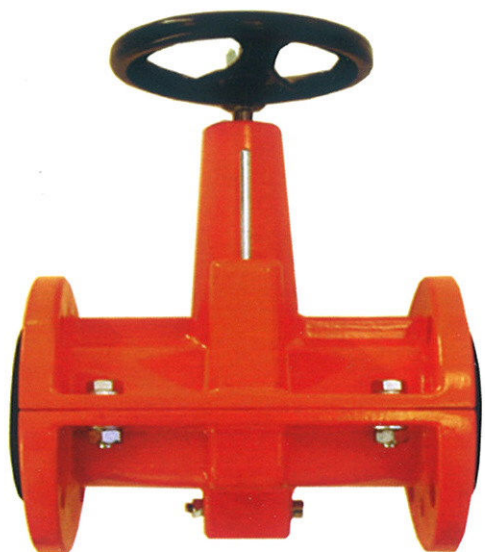
BLUE VALVE

Valve Function:
Manual valve closing with handweel.
Pneumatic valve type OV.PNC normally closed, compressed air is used for the opening, of the valve 6 bars.



The pinch valve is ideal solution for granulates, slurry and powder.

VALVOLA A PINZA
Pinch valve



Valvola OV-M DN 15 – 250

COMANDO MANUALE

DN	A	B	C	Nr. Fori/Holes	i. fori	O fori	P. max (bar)	Peso/Weight (kg)
15	162	195	95	4	65	14	5	1,800
20	162	210	105	4	75	14	5	1,900
25	196	225	115	4	85	14	5	2,700
32	196	250	140	4	100	18	5	3,000
40	216	285	150	4	110	18	5	4,000
50	246	300	165	4	125	18	5	5,000
65	256	445	185	4	145	18	5	11,500
80	276	490	200	4	160	18	5	13,000
100	316	530	220	8	180	18	5	17,000
125	325	670	250	8	210	18	3	25,500
150	325	790	285	8	240	22	3	30,000
175	355	900	315	8	270	22	3	45,000
200	370	850	340	8	295	22	3	45,000
250	524	1090	395	12	350	22	2	80,000

Valvola a pinza comando manuale

Materiali: alluminio Galsi 9.1 UNI 7369/3

Manicotto: gomma antiabrasiva, Neoprene, EPDM, Nitrile, Silicone

Flange: secondo norme UNI EN 1092-1 PN 10

Meccanismo di chiusura: semplice effetto per DN 15-50. Doppio effetto per DN 65-250

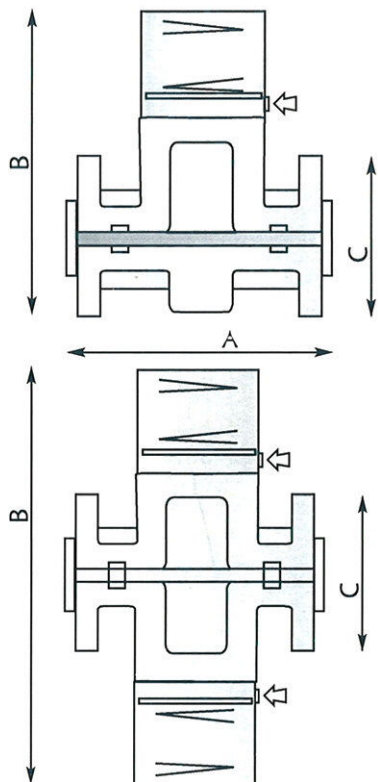
Pinch valve closing with handweel

Materials: aluminium Galsi 9.1 UNI 7369/3

Sleeve materials. Natural rubber, Neoprene, EPDM, Nitrile, Silicone

Flange dimensions: to UNI EN 1092-1 PN 10

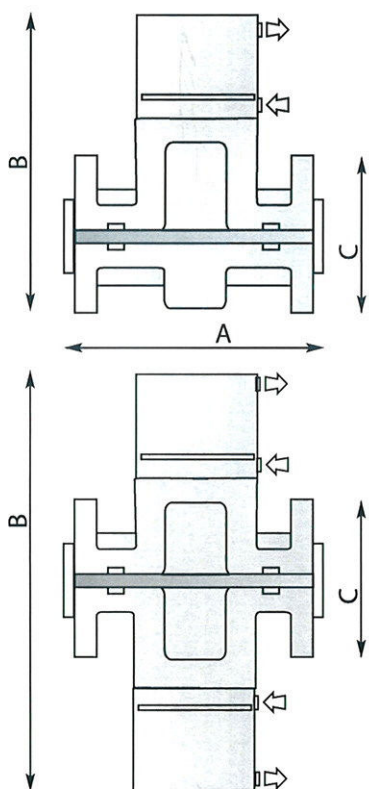
Mechanism: simple acting for DN 15-50. Double acting for DN 65-250



Valvola OV-PNC DN 15 – 200

COMANDO PNEUMATICO NORMALMENTE CHIUSA

DN	A	B	C	Nr. Fori/Holes	i. fori	O fori	P. max (bar)	Peso/Weight (kg)
15	162	285	95	4	65	14	5	3,800
20	162	300	105	4	75	14	5	4,000
25	196	360	115	4	85	14	5	5,000
32	196	380	140	4	100	18	5	5,500
40	216	440	150	4	110	18	3	11,000
50	246	450	165	4	125	18	3	12,000
65	256	650	185	4	145	18	3	20,000
80	276	830	200	4	160	18	3	40,000
100	316	860	220	8	180	18	3	42,000
125	325	1040	250	8	210	18	3	58,000
150	325	1080	285	8	240	22	3	62,000
200	370	1200	340	8	295	22	2	95,000



Valvola OV-POC DN 15 – 250

COMANDO PNEUMATICO DOPPIO EFFETTO

DN	A	B	C	Nr. Fori/Holes	i. fori	O fori	P. max (bar)	Peso/Weight (kg)
15	162	195	95	4	65	14	5	2,500
20	162	200	105	4	75	14	5	2,700
25	196	240	115	4	85	14	5	3,500
32	196	250	140	4	100	18	5	3,600
40	216	320	150	4	110	18	5	7,000
50	246	330	165	4	125	18	5	7,500
65	256	440	185	4	145	18	5	15,000
80	276	580	200	4	160	18	5	30,000
100	316	600	220	8	180	18	5	33,000
125	325	750	250	8	210	18	5	45,000
150	325	800	285	8	240	22	5	50,000
200	370	920	340	8	295	22	4	84,000
250	524	1090	395	12	350	22	2	160,000

Valvola a pinza pneumatica

Normalmente chiusa aria-apre.

Doppio effetto aria-apre/aria-chiude

Materiali: corpo alluminio Galsi 9.1 UNI 7369/3

Manicotto: gomma antiabrasiva, Neoprene, EPDM, Nitrile, Silicone

Flange: secondo norme UNI EN 1092-1 PN 10

Accessori: Elettrovalvola, regolatore di pressione, fine corsa

Pneumatic pinch valve

Normally closed air to open.

Double effect air to open/air to closed

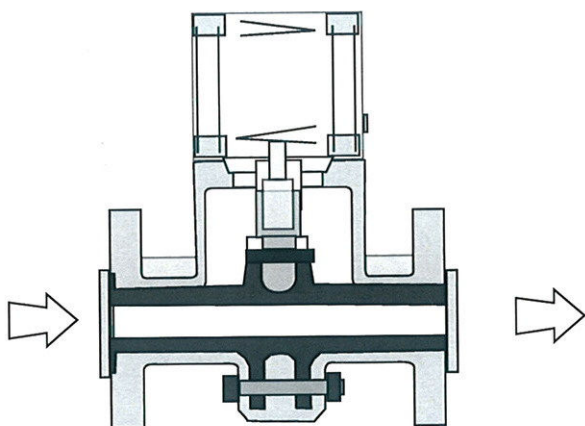
Materials: aluminium Galsi 9.1 UNI 7369/3

Sleeve materials. Natural rubber, Neoprene, EPDM, Nitrile, Silicone

Flange dimensions: to UNI EN 1092-1 PN 10

Accessories: solenoid valve, pressure regulators, limit switches

La valvola a pinza



La valvola a pinza è la soluzione ideale per intercettare prodotti abrasivi, granulati, fanghi e polveri.

Funzioni della valvola:

Valvola manuale chiusura con volantino.
Valvola pneumatica OV.PNC esecuzione normalmente chiusa, aria compressa per l'apertura della valvola 6 bar.

Vantaggi:

Passaggio pieno, chiusura ermetica, sicurezza (in mancanza di energia/aria la valvola si chiude).

Costruzione:

Corpo e attuatore in alluminio, manicotto in diversi materiali (gomma para o elastomeri sintetici Neoprene, Epdm, Silicone).

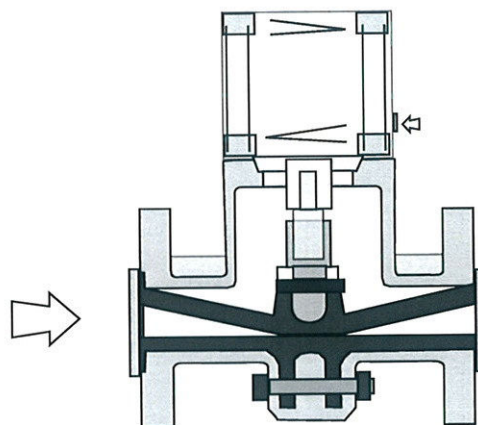
Manutenzione:

I manicotti e le guarnizioni possono essere facilmente sostituiti con bassi costi di manutenzione.

Settori d'impiego:

- Trasporto pneumatico
- Cemento e fibrocemento
- Pigmenti e granulati
- Industria ceramica/vetro/plastica
- Trattamento acque e fanghi
- Industria del marmo e granito
- Concerie

The pinch valve



The pinch valve is ideal solution for abrasive products and granulates, slurry and powders.

Valve Function:

Manual valve closing with hanweel.
Pneumatic valve type OV.PNC normally closed, compressed air is used for the opening, of the valve 6 bars.

Advantages:

Free passage, hermetic closing, safety (in lack of energy/air the valve closes up).

Construction:

Body and actuator aluminium, sleeve various materials (natural rubber or synthetic elastomers Neoprene, Epdm, Silicone).

Maintenance:

The sleeve and garniture can be changed with low maintenance costs.

Industrial areas:

- Pneumatic conveying systems
- Cement and fibrocement
- Pigment and granulates
- Ceramics/glass/plastic industry
- Sewage water and mud industry
- Marble and granite industry
- Tannery

Blue Valve Srl

Via F. Landini, 245
21050 Marnate (VA)

Tel. 0331.601983 – Fax 0331.366514

E-mail: bluevalve@libero.it

Web: www.bluevalve.it